

ANCHORS & SETUP



DEEP SET ANCHOR

Designed for soil class 2 & 3 soil Large stabilizing disc 7" x 1-5/8" sets faster in hard ground with 4 digging points. Reduce installation time. Less inventory - plate & anchor in one!

507010 30" long; 3/4" shaft 4/Bdl

507015 36" long; 3/4" shaft 4/Bdl

"J" CONCRETE ANCHOR



5/8" x 12" Double head J-rod slab anchor. Engineered for secure installation on freshly poured concrete slabs or footings.

501060 Swivel

CONCRETE SLAB ANCHOR



Installs easily into existing concrete slabs or footings with only a 5/8" drilled hole for expansion anchor bolt.

501065

DOUBLE DISK ANCHOR



Double Head Earth Anchors with twin helix, engineered for installation in medium to hard density soil conditions.

507020 30" long; 3/4" shaft 8/Bundle

507025 36" long; 3/4" shaft 8/Bundle

CROSS DRIVE ROCK ANCHOR



Engineered for installation in solid rock. Two 36" long drive rods with 3/4" shaft.

507030

BARBED ROCK ANCHOR



Engineered for installation in solid rock 24" long.

507005

STABILIZING PLATE



Prevents anchor from slicing through soil laterally in the direction of the frame tie.

507200 8/Ctn

PIER PAD



ABS pads replace concrete pads. Easier to haul on trucks. Approx. weight is 3lbs.

507210 16" x 18" 12/Bdl

507215 17" x 25" 5/Bdl

507220 24" x 24" 5/Bdl

ANCHORS & SETUP

SPLIT BOLT & NUT

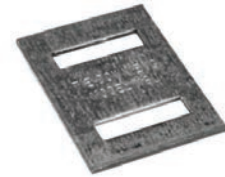


Slotted for use with strap.
Knurled bolt increases friction between strap and bolt shaft for greater strength.

507205 8/Bag

STRAP BUCKLE

Steel strap buckle for use in fastening strap around frame of mobile home.



502060

ANCHOR STRAP



Certified strapping galvanized exceeds 4,750 lbs tensile strength; 1-1/4" wide.

501075 37'

507100 100lb Roll

FRAME HOOK



502055 Hook

FRAME TIE w/HOOK



1/4" steel hook locks securely onto frame.

507105 8ft;

507110 10ft

SWIVEL STRAP CONNECTOR w/G120 STRAP

For applications where use of standard frame ties is prohibited. To be used with beam hook.

507115 8ft



BEAM HOOKS



Use with swivel frame connectors for attaching anchor straps to I-beams.

502065 3"

502070 4"

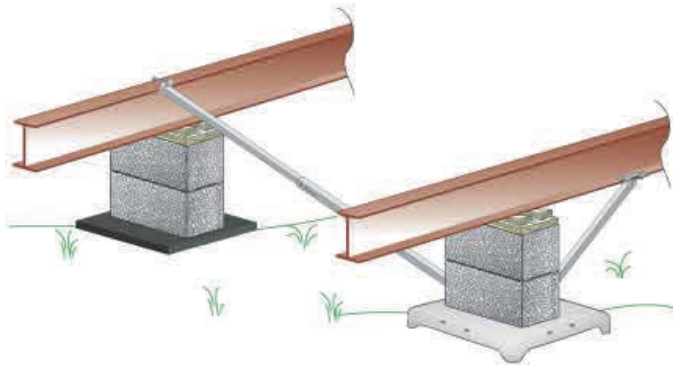
STRAP SEAL

Secures strapping together with buckles or frame clamps.

502075

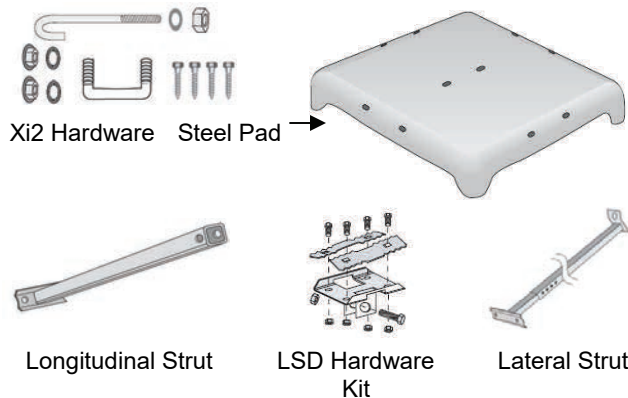


ANCHORS & SETUP



Xi2 Foundation System For Ground Applications

- Easy installation.
- Stabilizer plates and diagonal frame ties are not required in most set-ups.
- Longitudinal stabilization is easily added with Tie Down's LSD strut kit.
- Heavy galvanized coating* on bracket and struts.

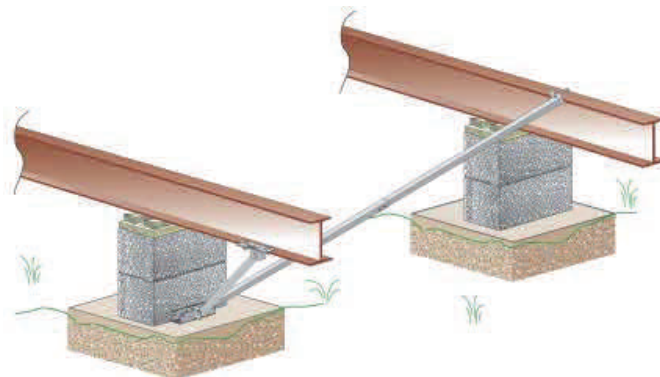


Ground System

- 507410 Xi2 Pad, Hardware, Strut Steel Pad
- 507415 Lateral Strut 5'
- 507420 Ground Lateral Hardware
- 507430 44" Longitudinal Strut
- 507435 65" Longitudinal Strut
- 507425 Ground LSD Hardware Set of 2

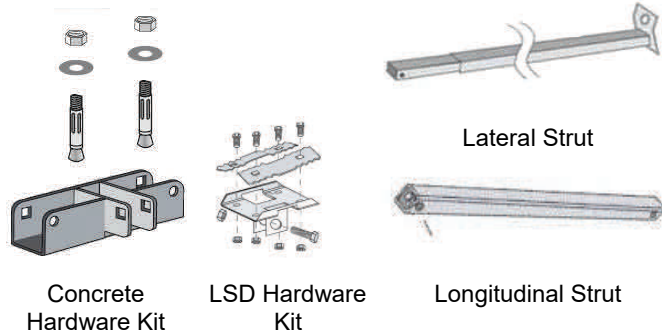
Xi2 Foundation System For Concrete Applications

- Easy installation.
- Stabilizer plates and diagonal frame ties are not required in most set-ups.
- Longitudinal stabilization is easily added with Tie Down's LSD strut kit.
- Heavy galvanized coating* on bracket and struts.



Concrete System

- 507310 Concrete Hardware Hardware, Strut
- 507315 5' Strut
- 507320 Concrete LSD Hardware Set of 2
- 507325 44" Longitudinal Strut
- 507330 65" Longitudinal Strut



ANCHORS & SETUP

ANCHOR MACHINE



Heavy duty 1/2HP drive machine 12RPM.

501105
Drive Machine

ANCHOR MACHINE ADAPTER



504030 Adapter Head

ADJUSTABLE OUTRIGGER



Adjusts flooring and frame to assist doors and windows to operate properly.

507225 24"

507230 36"

STRAP CRIMP TOOL



506185

SOIL TEST PROBE KIT



Determines soil type for proper anchor selection.

506180

POCKET PENETROMETER

Calibrated spring and penetrometer body plated for rust resistance and long life.



507235

HARDWOOD WEDGES



Untreated wood 4" x 8" x 1"

507520 100/Bundle; 24/Skid

HARDWOOD BOARDS



507505 1" x 8" x 16" 10/Bundle; 30/Skid

507515 2" x 8" x 16" 5/Bundle; 30/Skid

ANCHORS & SETUP

JACKING PLATES

Use when jacking the frame's main beam to avoid damage to the beam and voiding of the warranty. Distributes the concentrated load of the jack head to the frame members. Prevents home from slipping off the jack and causing injury.



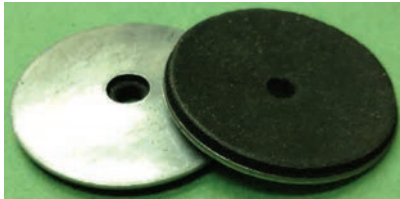
501080 3"
501085 5"

ALTURNAMATS

The Original Ground Protection Mat
Special Order 2' x 8'



RUMBLE BUTTONS



506125 100/box

ROOF FLASHING

501050 10" x 50' Aluminum
501055 10" x 50' Galvanized



NORCO HYDRAULIC BOTTLE JACKS

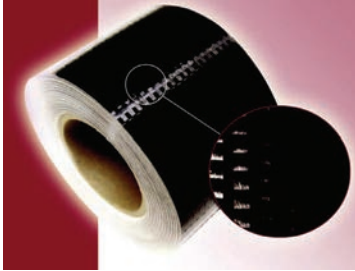


- Prevent rust with "Parkerized" pump piston, ram and extension screw.
- No leak "Uniweld" construction.
- 50% safety overload factor.
- Longer wear life due to internally machined oil passages, smooth bearing surfaces and close tolerances.
- The heavy-duty extension screw and release valve were designed to eliminate parts and reduce the chances of breakage and excessive wear.

501090 12 ton standard
501095 12 ton shorty
501100 20 ton

ANCHORS & SETUP

FLEX MEND



Easy to use tape form.
Perfect for small jobs.

503035 4" x 180'

504015 28" x 50' roll

BOTTOM BOARD FABRIC



Constructed of one-ply polyethylene fabric for physical strength coated with black polyethylene film for a positive moisture barrier.

506170 28" x 25'

503030 28" x 100'

OVERSIZE LOAD SIGNS



506175 Metal oversize 6' x 15"

506145 Poly-coated 8' x 18"



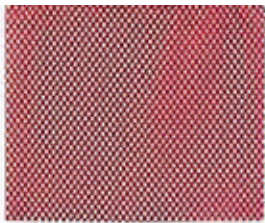
STA-PUT

Works well on bottom board, vinyl tops, metal or vinyl trim, Styrofoam, rubber and much more.

401055 16oz



RED FLAG

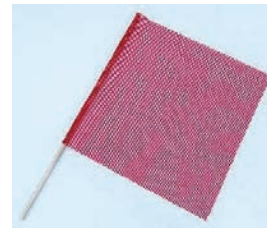


506140 18" x 18"

2pk w/clips

506130 18" x 18"

FLAG ON STAFF



506135 24" x 24"; 36" staff

VAPOR BARRIER



707000 16' x 100' 6ml

707005 20' x 100' 6ml

BLACK

CLOSE—OFF FILM



507525 14' x 300' 5 mil white